

General Specifications

The design and construction of ACROMAT beams conform to Olympic F.I.G. specifications.

Beams are used for competition and training. The lightweight, non-twisting, stable aluminium beam extrusion is fully padded and covered with non-slip, moisture absorbent suede. Legs are made of steel with non-marking ribbed rubber feet.

Foam beams are used for kindergym and primary school programmes as well as training and fun activities.

Safety

Do not use beams on soft or unstable surfaces. Check beams regularly, ensure they are in good condition, covers are not slippery or torn and are safe to use. Repair or replace damaged parts.

1
A1-1 Balance Beam - Olympic/F.I.G. Specifications
 Complete beam consists of beam top A1-2 and legs A1-3. Height adjustment: Wind up and down using removable handle A1-50. This unique system improves safety; leg bases do not move when beam height is changed, eliminating the need to change mats. Length: 5000mm. Balancing surface width: 100mm. Height adjustment: 700-1200mm.

A1-11 Balance Beam - Olympic/F.I.G. approved
 Similar to A1-1 but has legs with weighted base fitted on the beam top A1-2. Used for national and international competitions.

A1-16 Balance Beam - School Model
 Similar to A1-1 but with no padding under suede cover.

1a
A1-60 Balance Beam Leg Safety Padding
 Carpet covered, Acrolite foam, fastened with touch tape. Completely covers legs and brace from mat to underside of beam.

1b
A1-34 Balance Beam Training Pad - Soft, 1000mm long
 Canvas covered foam, 20mm thick. Touch tape holds pad firmly onto beam.

1c
A1-50 Handle - Beam - Height Adjusting - Replacement
 Removable for safety.

1d
A1-54 Knob - Rubber - Replacement
 Locking knob for height adjustment.

1e
X6-11 Foot - Rubber - Replacement
 Non-marking ribbed rubber.

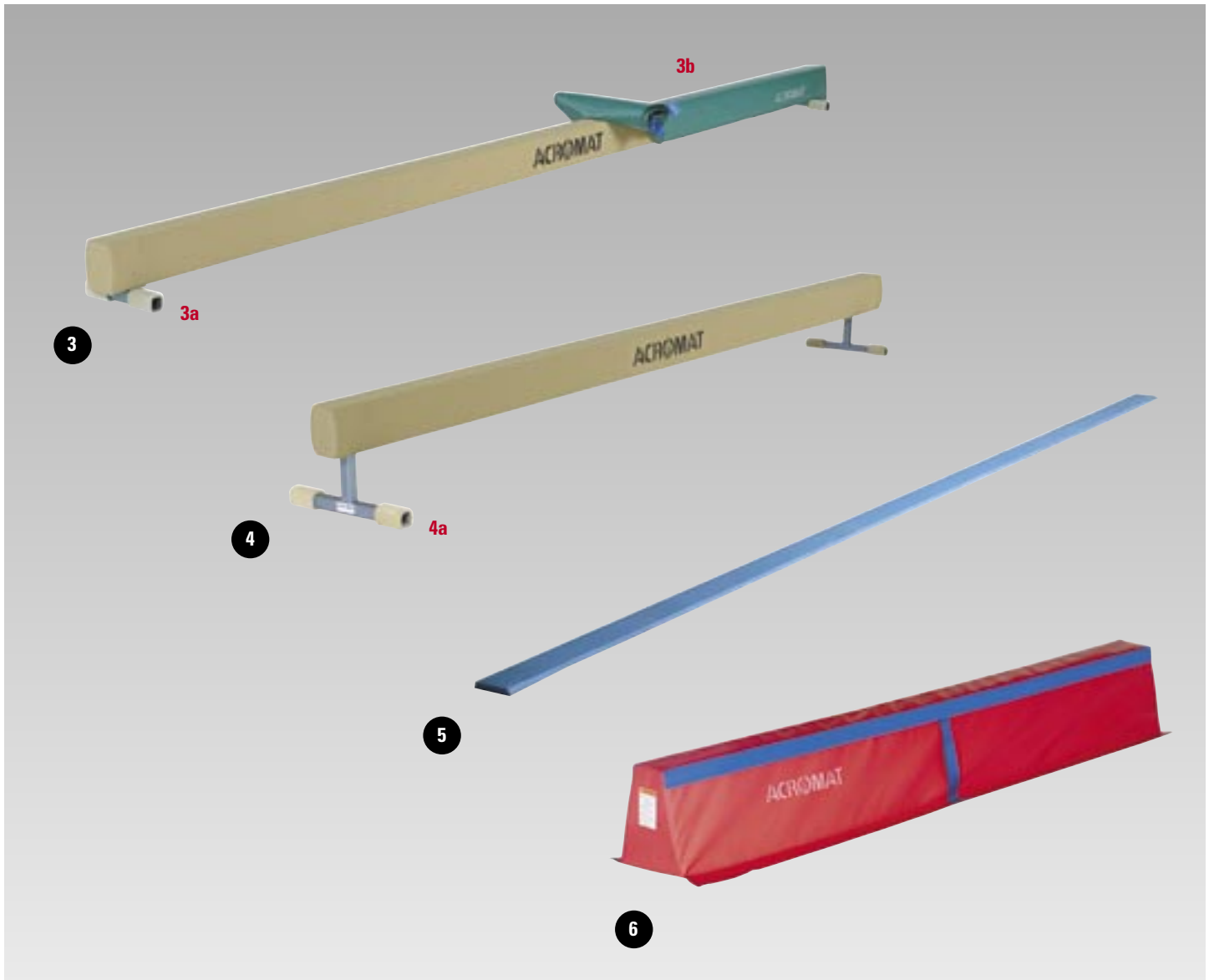
1f
A1-6 Balance Beam Transporters
 Two timber platforms each with 4 swivel castors.

2
A1-27 Balance Beam - Fixed Height
 Beam top A1-14 with legs A1-3 that may be fixed at any height and removed for storage. Length: 5000mm. Balancing surface width: 100mm.

2a
A1-43 Balance Beam Training Pad - 3500mm long
 Canvas covered foam, 20mm thick, fits over top and sides of beam. Touch tape holds pad in place. Top of pad is same width as beam, 100mm, for training with added safety.

A1-25 Balance Beam Cover Material - Replacement
 Length: 5400mm. Width: 460mm. For recovering beams.

2b
A1-13 Balance Beam Cover, Sewn Ends - Replacement
 Length: 5000mm.



3
A1-4 Balance Beam with 60mm high legs
 Fully padded and suede covered aluminium beam top A-14 with legs A1-5.
 Length: 5000mm.

A1-44 Balance Beam - Junior, with 60mm high legs
 Fully padded and suede covered aluminium beam top A1-51 with legs A1-5.
 Length: 3000mm.

3a
A1-5 Balance Beam Low Legs, 60mm high - Replacement
 Fixed height legs.

3b
A1-47 Balance Beam Dust Cover
 Vinyl cover, secured with touch tape, helps protect beam when handled and stored.
 Length: 5000mm.

4
A1-53 Balance Beam - Junior, with 200mm high legs
 Fully padded and suede covered aluminium beam top A1-51 and legs A1-42.
 Length: 3000mm.

A1-33 Balance Beam with 200mm high legs
 Fully padded and suede covered aluminium beam top A1-14 and legs A1-42.
 Length: 5000mm.

4a
A1-42 Balance Beam Legs, 200mm high - Replacement
 Fixed height legs.

5
A1-52 Balance Beam - Foam Practice Strip
 High density 'Acrolite' foam with touch tape on underside for attachment to carpeted floorstrips.
 Length: 5000mm.
 Width: 100mm.
 Height: 20mm.

6
A1-70 Balance Beam - Foam - Gym Fun
 High density foam covered with fire retardant vinyl. Touch tape provides good stability on carpeted floorstrips or when used with gym fun benches or foam vaulting boxes.
 Length: 2400mm.
 Height: 3000mm.
 Width at top: 125mm.
 Width at base: 265mm.