



General Specifications

Curtains are used to divide sports hall into individual areas and act as a visual barrier between groups increasing the versatility of your centre.

- Curtains are made to order and can be:
- a. Solid panel (opaque) - vinyl, fire retarded.
 - b. Net - 50mm square x 1.4mm white sports mesh, ultra violet stabilised. Options: Black mesh and 25mm square mesh.
 - c. Solid panel (opaque) and net - vinyl 2000mm high, double stitched to net.

Vertical lift curtain - Lifts up to clear the floor area. Must be fixed to the roof structure or a beam.

Side drawn on track curtain - Requires storage area at the wall when curtain is drawn to the side. Must be fixed to the roof structure or a beam.

Side drawn on cable curtain - No beam or roof structure required. Structural fixing points on the walls or columns are necessary for fixing the cable. Draw cords may be required. Storage area at the wall is required when curtain is drawn to the side.

All net curtain - Used where a visual barrier is not required.

Removable net - Economical alternative. Net is taken down and stored when not required. Designed for indoor or outdoor use.

Protection net - Reduces the risk of damage to ceilings, lights and windows.

Installation

Acromat's trained engineers will design and supply all fittings required for the installation of the curtains or nets.

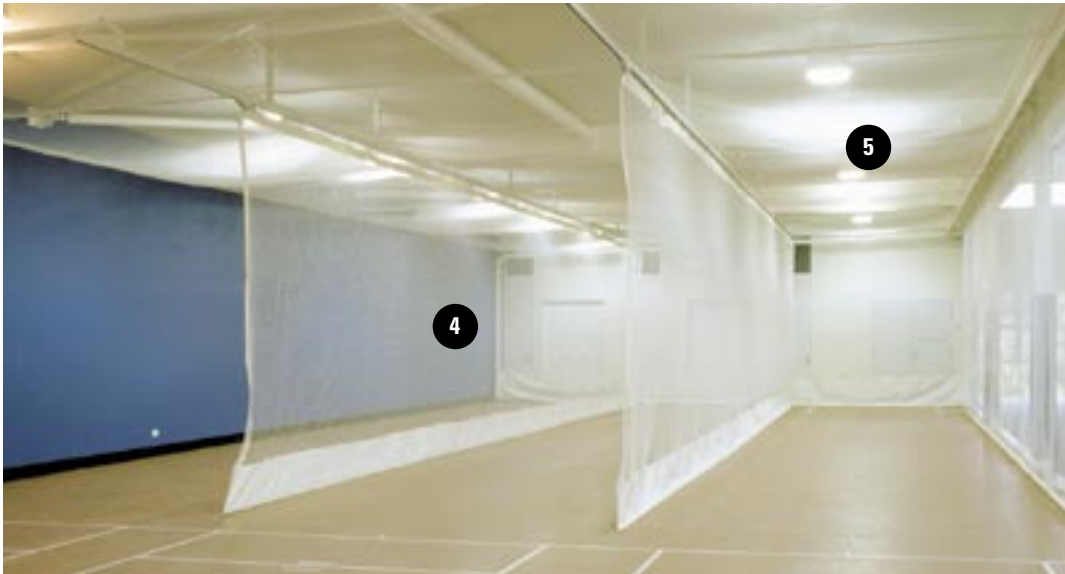
Safety

Check tracks, ropes, cables, winches and all fittings regularly. Ensure they are in good condition and safe to use.

- 1**
A15-28 **Curtain - Vertical Lift, Opaque and Net**
Curtain panel:
Vinyl - opaque blue, 2000mm high
Net - White 50mm square, 4800mm high
Lifting system: Brackets fixed to roof structure support the curtain, carrier track and pulley system. Lifting cords are attached to bottom of the curtain. These cords are threaded up through the vinyl and mesh, over nylon pulleys and are fixed to the carrier. A cable from the carrier to the winch raises the curtain. A safety catch system stops the curtain dropping if the cable fails.
Bracket spacing: 1500mm approx.
Stored depth: 600mm approx.
Total weight (including all fittings): 10kg/lineal metre
Winch options (ordered separately):
a. manual winch A16-11 or A16-12
b. manual winch A16-11 or A16-12 with portable electric driver A16-13
c. electric winch, key operated A16-52
d. electric winch, cordless remote control A16-550

- 2**
A15-62 **Curtain - Vertical Lift, Opaque**
Curtain panel: vinyl full height.
Similar fixings and lifting system as A15-28
Winch options (ordered separately): similar to A15-28

- 3**
A15-41 **Curtain - Vertical Lift, all Net**
Curtain panel: White, 50mm square net with black vinyl edging on bottom.
Similar fixings and lifting system as A15-28
Winch options (ordered separately): similar to A15-28



4
A15-42 Curtain on Track - Side Drawn, all Net
 Curtain panel: White, 50mm square with black vinyl edging all sides.
 Track system: similar to A15-29.
A15-29 Curtain on Track - Side Drawn, Opaque and Net
 Curtain panel:
 Vinyl - opaque blue, 2000mm high
 Net - White, 50mm square, 4800mm high with vinyl edging
 Track system: Millstrut P1001 track is fixed to roof structure or special beam.
 Rollers at 600mm centres with two cords, one supports the net and vinyl panel. Brackets on the wall retain the stored curtain.
 Total weight (including track and all fittings): 6.6kg/lineal metre.
 Options: -
 - Bi-parting panels overlap 300mm in the centre.
 - Draw cords to operate the curtain from one side wall. A spring loaded pulley and jamming cleat keeps the rope taut.
 - Winch options (ordered separately): similar to A15-28

A15-31 Curtain on Cable - Side Drawn, Opaque and Net
 Curtain panels:
 Vinyl - opaque blue, 2000mm high
 Net - White, 50mm square, 4800mm high with vinyl edging.
 Bi-parting panels overlap 300mm in centre.
 Cable system: 10mm D cable fixed to structural members each side of building. Centre of cable is fixed to the roof. Rollers at 600mm centres, have two cords, one supports the net and one the vinyl panel. Draw cord running through pulleys controls the curtain from one side wall. Brackets on wall retain the stored curtain.

5
A15-131 Roof Nets
 Net: White, 50mm square with touch tape joining system allows access to lights. Cables tensioned between structural members of the building support the net.

6
A15-124 Dividing Net - Removable, 4800mm High
 Net: White, 50mm square with black vinyl border, prestretched rope top and weighted bottom.
 Fixings to structural members each side of building and intermediate support posts included.
 Winch A16-18 and storage box A16-148 ordered separately.

6a
A16-148 Storage Box with Wheels
A15-133 Dividing Net - Side Drawn, 4800mm High
 Net: White, 50mm square with black vinyl border, weighted bottom.
 Cable system: Fixed to structural members each side of building. Intermediate posts support the cable. Shackles at 600mm centres fix net to the cable. To store, remove intermediate posts and slide net to the side wall.
 Fixings allow cable to be removed if required.
 Winch A16-18 and storage box A16-148 ordered separately.

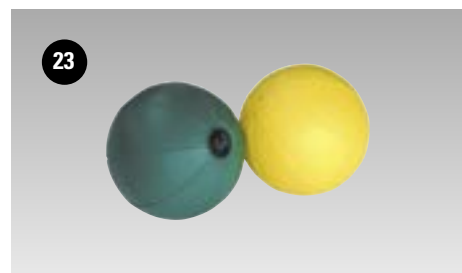
7
A15-126 Dividing Net - Removable, 2400mm High
 Net: White, 50mm square with black vinyl edging, prestretched rope top, weighted bottom and intermediate posts. Fixed to structural members each side of building or free-standing posts in sockets. Winch A16-18 and storage box A16-148 ordered separately.
 Floor sockets ordered separately.



8
A15-113 Dividing Net - Removable, Outdoor, 2400mm High
 Net: White, 50mm square with black vinyl border, prestretched rope top and weighted bottom.
 Support posts designed to suit local conditions and intermediate support posts are all included.
 Finish: Posts - hot dip galvanised.
 Winch A16-18 and storage box A16-148 ordered separately.

9
Cricket and Sports Nets - Special Purpose Nets
 Generally designed to suit the specific location, either indoor or outdoor use.
 Construction similar to details for dividing curtains.

10
A15-128 Protection Nets - Fixed
 Net: White, 50mm square with black vinyl edging all sides.
 Height: as required.
 Cables top and bottom are fixed to the building to hold nets permanently in place.



Safety
Check all gymnasium equipment regularly to make sure it is in good condition and safe to use.

11
A15-101 **Chalk Stand - Olympic**
Covered clear plastic bowl with hand holes. Supported by a single upright and base.

12
A15-79 **Chalk Blocks - Carton, 36 Packets**
Contains 36 packets A15-78

13
A15-78 **Chalk Blocks -Packet, 440g**
Magnesium Carbonate - 8 x 55g blocks.

14
A15-77 **Chalk Powder - 400g**
Chalk in plastic container with screw lid.

15
A15-89 **Chalk Powder - 25kg**
Bulk chalk powder.

16
A15-84 **Resin Gum - 1kg**
Provides extra grip.

17
Palm Guards - Leather
Leather palm guard, with two finger holes, sewn to wrist strap with buckle.

Code	Size
A15-80	Super Small
A15-81	Small
A15-82	Medium
A15-83	Large

18
A15-9 **Palm Guards - Victor**
Leather palm guard, with three finger holes, sewn to wrist strap with buckle.

19
A15-52 **Palm Guards - Adrianov**
Provides extra grip on rings and horizontal bar.

20
Wrist Straps - Set
Straps made from 25mm wide heavy nylon webbing sewn to form loop. Used to prevent the gymnast from losing grip when teaching giant swings on horizontal bar. Select the correct size pair of straps to suit each gymnast.
Warning: Must be used under supervision of qualified coach.

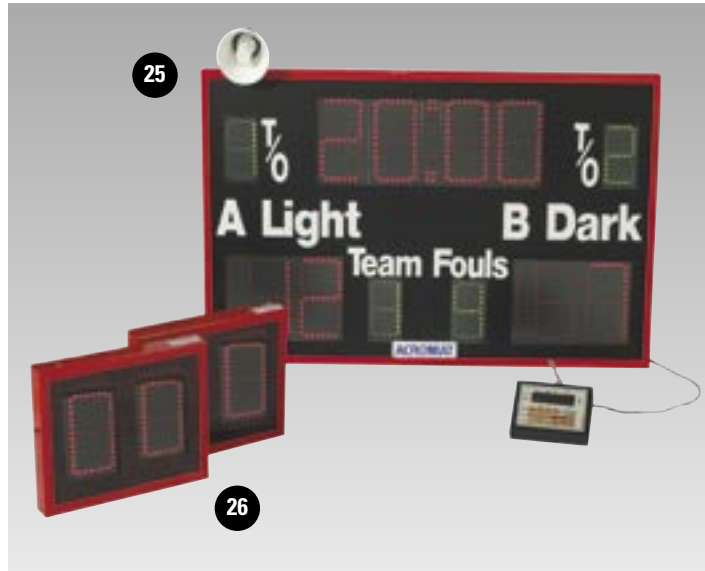
Code	Size	
	Marking	Circ. mm
A15-68	0000	530
A15-69	000	555
A15-71	00	580
A15-72	0	605
A15-73	1	630
A15-74	11	655
A15-75	111	680
A15-76	1111	705
A15-70	SET OF 8	

21
A15-67 **Padding Box, 1200mm x 900mm x 600mm**
Flat firm surface ideal for padding. Three usable heights. Lightweight polystyrene foam 1200mm x 900mm x 600mm with zip on cover made from fire retarded vinyl fabric.

A15-97 **Padding Box with Acrolite Layer**
Same as A15-67 but with an additional layer of resilient foam for softer outer surface.

22
A15-66 **Wobble Board**
Ideal for rehabilitation of ankle injuries. Spring, 65mm high is fitted between 19mm plywood boards. One board is 400mm square and one 300mm D. Non-marking rubber buffers protect the floor.

23
A15-21 **Medicine Ball - 2kg**
A15-22 **Medicine Ball - 3kg**
A15-23 **Medicine Ball - 4kg**



24
A15-107 **Scoreboard - Gymnastic Competition - Seven Numeral**
Three black numerals A15-19 for the gymnast's number and four for the score (one black and three red A15-20). Numerals are fixed to a plywood panel supported by a single upright and heavy base. This allows the board to rotate for viewing.

24a
A15-19 **Scoreboard Numerals 0-9 - Black**
The 190mm x 335mm plastic box has 10 numbers (0-9) 245mm high. Change numbers by moving the levers on side of the box. Simple and easy to operate - a host of uses for all games.

24b
A15-20 **Scoreboard Numerals 0-9 - Red**

25
A15-135 **Scoreboard - PE2001, Electronic, 1200 x 700mm**
Fully microprocessor controlled. Control console and cable included. Time: 4 red digits, 1-99 minutes selectable. Scoring: Two teams, 3 red digits. Time out: 1 green digit. Team fouls: 1 green digit.

A15-136 **Scoreboard - PE2004, Electronic, 1500 x 1000mm**
Similar A15-135 but larger.

26
A15-137 **Shot Clock - SC190, Electronic, Red, 190mm**
Set of two.

A15-138 **Shot Clock - SC200, Electronic, Red, 200mm**
Set of two.

27
A15-140 **Score Bench - 4 Person, 2400mm long**
Steel tube frame construction with melamine panels. Lockable castor wheels.

A15-139 **Score Bench - 3 Person, 1800mm long**

A15-141 **Score Bench - 5 Person, 2850mm long**

A15-142 **Score Bench - 6 Person, 3400mm long**

28
A15-12 **Horizontal Ladder - Wall Fixed**
The ladder is fixed 230mm from wall and height above floor as requested. Steel supporting frame is fixed on wall or structural member and is braced with 5mm D galvanised steel cables and turnbuckles. Ladder: 4800mm long x 455mm wide
Stiles - 120 x 50mm Australian Oak
Rungs - 35mm D hardwood at 380mm centres.

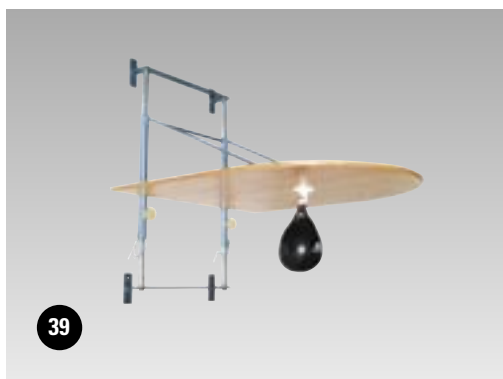
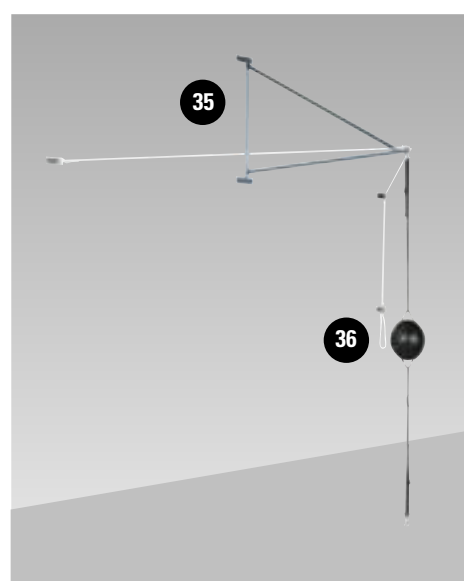
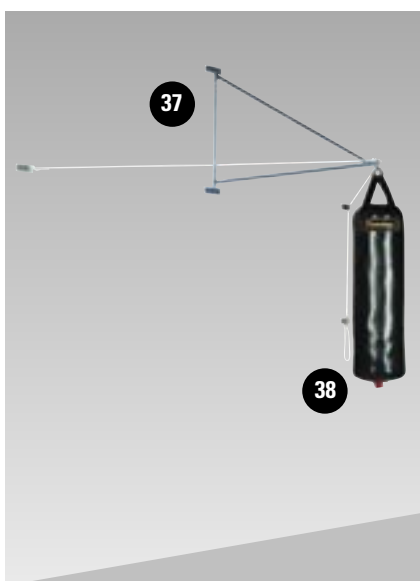
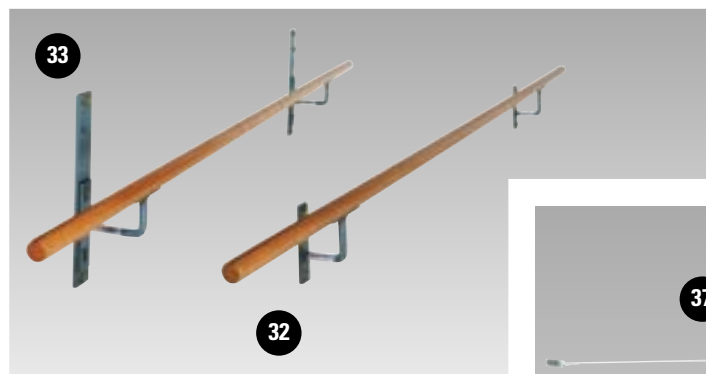
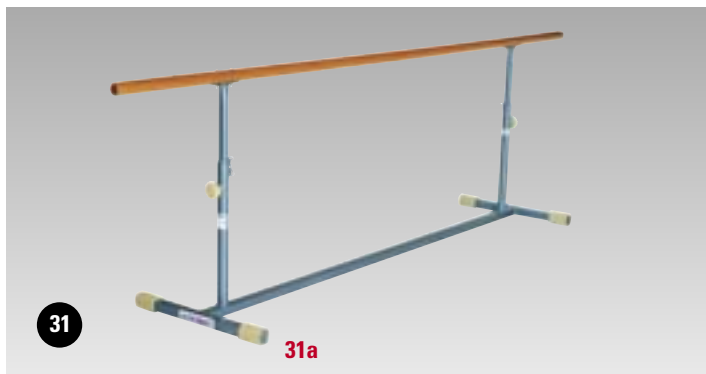
29
A15-53 **Jump & Reach Board (Sergeant Jump)**
Used for physical ability testing. Formed completely from galvanised steel sheet metal with 900mm high sliding calibrated front panel. Front panel raised to starting point. Magnet marks height of jump.

30
A15-16 **Pegboard - 900 x 900mm**
Ideal for upper body strength work. Pegboard is fixed direct to the wall. Melamine coated 17mm plywood has holes at 180mm centres fitted with steel tube and flange. These support the 25mm D plastic pegs A15-51 used when climbing. Pegs: Qty 2.

A15-17 **Pegboard - 1500 x 300mm**
Mounted on the wall vertically. Supplied with 2 pegs. Pegs: Qty 2.

A15-55 **Pegboard - 1200 x 1200mm**
Pegs: Qty 2.

A15-45 **Pegboard - 1800 x 1200mm**
Pegs: Qty 4.



31
A15-10 **Ballet Rail - Height Adjustable, Free Standing**
Steel base with non-marking rubber feet. Rail: 44mm D Australian Oak with clear finish. Length: 3000mm
Height adjustment: 620mm to 1025mm

31a
X6-11 **Rubber Foot - Replacement**

32
A15-7 **Ballet Rail - Wall Fixed**
Steel wall brackets support 44mm D Australian Oak timber rail with clear finish. Length: made to suit customers' requirements

33
A15-11 **Ballet Rail - Adjustable Height, Wall Fixed**
Steel wall brackets with keyhole fitting supports 44mm D Australian Oak rail with clear finish. Length: 3000mm
Height adjustment: 150mm

34
A15-90 **Boxing Ring - 6100 x 6100mm with Raised Platform 7100 x 7100 x 900mm High**
Platform: Free standing base consisting of interlocking R.H.S. steel frames support 19mm plywood platform. Corner post slide into the base frame.
Ropes: 5mm D galvanised steel covered with 20mm D flexible conduit.
Corner pads: 20mm thick Acrolite foam covered with vinyl.
Mat: 20mm thick Acrolite foam, white 400g/m². canvas cover. Tensioning system fitted around the perimeter holds cover taught.

A15-91 **Boxing Ring - 5490 x 5490mm with Raised Platform 6420 x 6420 x 900mm High**
Similar to A15-90.
A15-24 **Boxing Ring, Posts, Mat, Padding Complete, Floor Fixed, 4270 x 4270mm.**
Suitable for training. Dismantles for storage.
Posts: 1360mm high, with staples and turnbuckle support main ring cables.

Floorplate A6-7 locate the post base. Top is held by cable and turnbuckle fixed to a floor plate A6-1.
Ropes: 5mm D galvanised steel covered with 20mm D flexible conduit.
Corner pads: 20mm thick Acrolite foam covered with vinyl.
Mat: 20mm thick Acrolite foam, white 400g/m² canvas cover. Tensioning system fitted around the perimeter holds cover taught. Mat size: 1000mm wider than ring.

A15-25 **Boxing Ring, Posts, Mat, Padding Complete, Floor Fixed, 4880 x 4880mm.**
Similar to A15-24.

A15-26 **Boxing Ring, Posts, Mat, Padding Complete, Floor Fixed, 5490 x 5490mm.**

A15-27 **Boxing Ring, Posts, Mat, Padding Complete, Floor Fixed, 6100 x 6100mm.**

35
A15-35 **Punch Ball Wall Bracket and Floorplate**
Same as A15-34 with A6-1 floor plate.

36
A15-37 **Punch Ball - Leather, - Floor to Ceiling**
Inflatable leather covered ball with rubber tensioning cords top and bottom. Fixes onto wall frame A15-37 and floor plate.

37
A15-34 **Boxing Bag Wall Bracket**
Pipe frame 20 N.B. is hinged to wall and held in working position by ropes. Support boxing bag 1525mm from wall.

38
A15-36 **Boxing Bag - Vinyl**
Vinyl covered bag, 1200mm high, with straps and ring for fixing to wall bracket A15-34.

39
A15-44 **Speedball and Board - Wall Fixed, Adjustable Height**
Steel frame mounted on wall, supports plywood board 900 x 900 x 19mm with radius at front.
Speedball: inflatable, leather covered, with swivel. Height adjustment: 300mm.